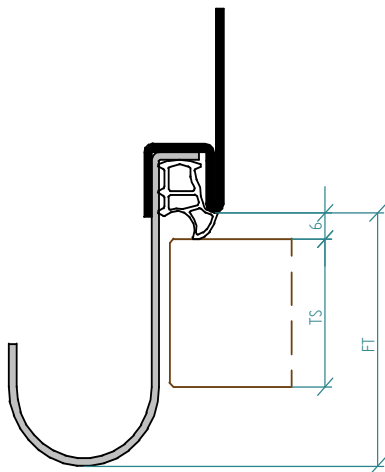
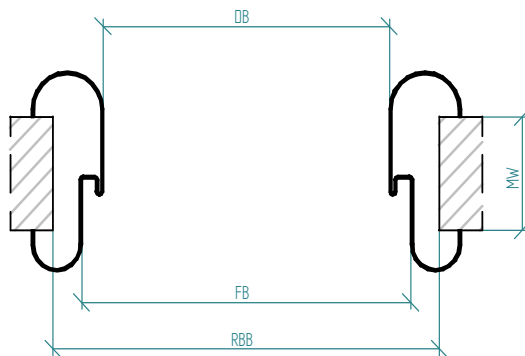
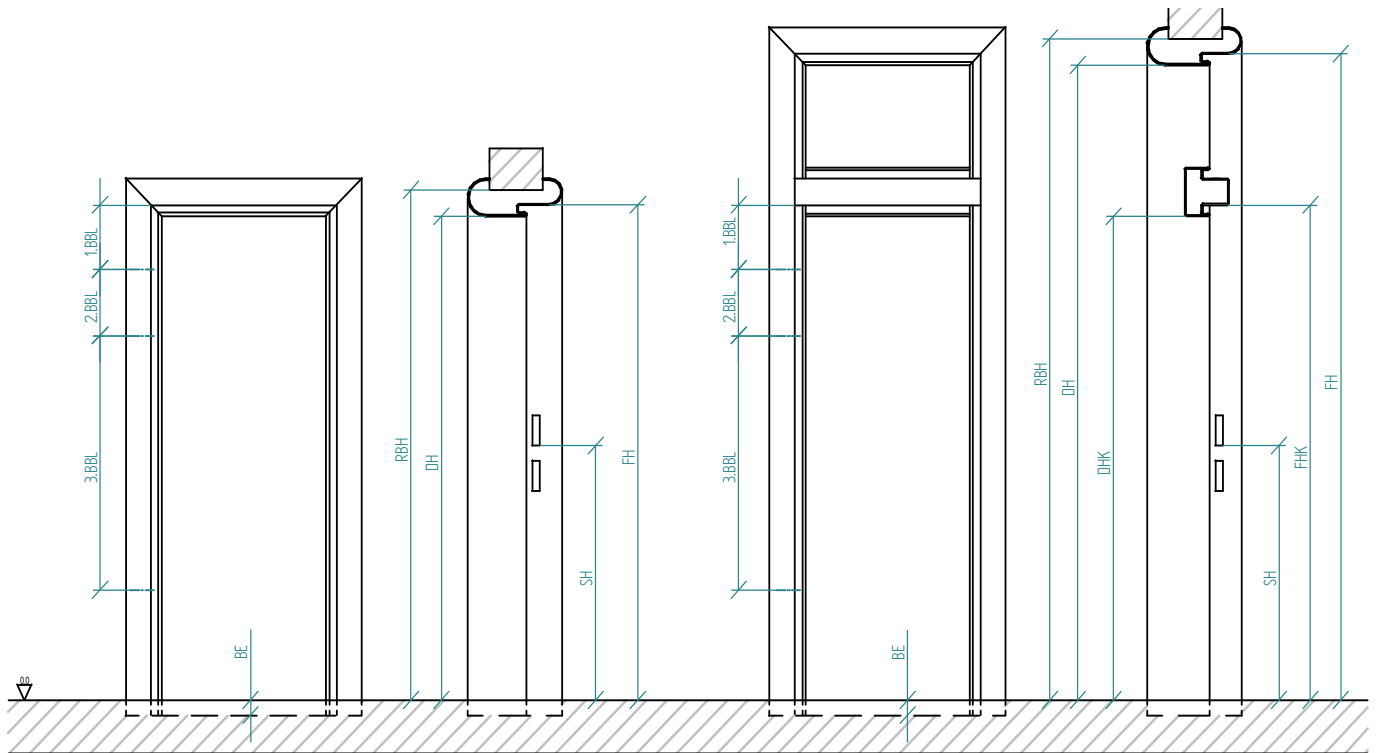


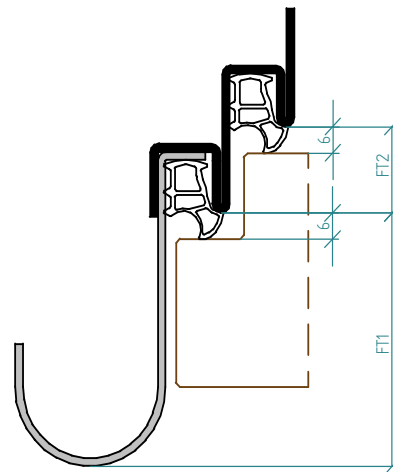


Via stazione 22/A, I-39035 Mongueifo (BZ)
 Tel. +39 0474 947 200, Fax 947 299
 www.rema-online.it E-mail info@rema-online.it

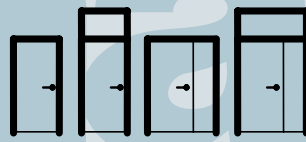
F-LINE



stumpfes Türblatt
 porta a filo senza battuta
 flush door



stumpf gefälztes Türblatt
 porta a filo con battuta
 flush rebated door



Via stazione 22/A, I-39035 Mongueifo (BZ)
 Tel. +39 0474 947 200, Fax 947 299
 www.rema-online.it E-mail info@rema-online.it

F-LINE

Client:	Destination:
Adress:	site or client adress:
VAT No.:	
Tel.:	Fax. :
e-mail	
Contact:	e-mail
Project:	Tel.:
Requested delivery date:	Fax. :
	Contact:
	Mobile:

<p>1.) Material <input type="checkbox"/> galvanized steel 1,5 mm <input type="checkbox"/> galvanized steel 2,0 mm <input type="checkbox"/> stainless steel AISI 304 1,5 mm <input type="checkbox"/> stainless steel AISI 316 1,5 mm <input type="checkbox"/> others _____</p> <p>2.) Surface <input type="checkbox"/> raw <input type="checkbox"/> primed (RAL 9010) <input type="checkbox"/> powder coated RAL _____ <input type="checkbox"/> smooth-glossy <input type="checkbox"/> smooth-matte <input type="checkbox"/> finetexture-semigloss <input type="checkbox"/> finetexture-matte <input type="checkbox"/> others _____</p> <p>3.) Doortype <input type="checkbox"/> rebated 25,5 mm or _____ <input type="checkbox"/> flush door 40 mm or _____ <input type="checkbox"/> double rabated FT1 _____ FT2 _____ <input type="checkbox"/> double rebated flush door FT1 _____ FT2 _____ <input type="checkbox"/> glass door _____ (8-10)</p> <p>4.) Hinge preparing <input type="checkbox"/> V8600 <input type="checkbox"/> VX 7511 3D <input type="checkbox"/> VN 7608 120 3D <input type="checkbox"/> VN 7608 160 3D <input type="checkbox"/> others _____</p>	<p>5.) Hinge positions <input type="checkbox"/> 1.BBL 241 mm 2.BBL 1435 mm <input type="checkbox"/> 1.BBL 241 mm 2.BBL 1560 mm <input type="checkbox"/> 1.BBL _____ mm 2.BBL _____ mm <input type="checkbox"/> 3.BBL _____ mm 3.BBL 250 mm <input type="checkbox"/> 3.BBL central _____ 4.BBL _____ mm</p> <p>6.) Lock preparing <input type="checkbox"/> 62-23-62 con with registrable strike plate <input type="checkbox"/> others _____</p> <p>7.) Depth of lock preparing (ST) <input type="checkbox"/> for rebated door ST=4 mm or _____mm <input type="checkbox"/> fur flush door ST=15,5 mm or _____mm</p> <p>8.) Hight of lock preparing (SH) <input type="checkbox"/> 1050 mm <input type="checkbox"/> others _____</p> <p>9.) Fixing systems <input type="checkbox"/> special brackets for concrete walls <input type="checkbox"/> special anchors for stud walls <input type="checkbox"/> clamb and Rapid Block for SPEED <input type="checkbox"/> regolable anchor for TELESCOP / S2 <input type="checkbox"/> others _____</p> <p>10.) Transom-bar for overlight frame <input type="checkbox"/> yes _____ no <input type="checkbox"/> transom in aluminium 45-75 <input type="checkbox"/> bended transom in steel : type _____</p>	<p>11.) Glazing bead for fanlight <input type="checkbox"/> clip bead 15x15mm in aluminium <input type="checkbox"/> steel tube bead _____x15mm to screw <input type="checkbox"/> others _____</p> <p>12.) Glass thickness for fanlight _____mm</p> <p>13.) Color of rubber seal C 1397 <input type="checkbox"/> grey <input type="checkbox"/> black <input type="checkbox"/> white <input type="checkbox"/> brown</p> <p>14.) Floor height (BE) <input type="checkbox"/> no <input type="checkbox"/> yes: _____mm</p> <p>15.) Extras <input type="checkbox"/> no <input type="checkbox"/> yes: _____</p> <p>16.) Hinge supply <input type="checkbox"/> yes _____ no hinge type _____</p> <p>17.) Drawings <input type="checkbox"/> yes _____ no drawing nr.: _____</p>
--	--	--

pos.	profile type	MW	wall opening :		height of transom for fanlight	handing		DIN	2 doors	quantity total	EXTRA	price
			width	height		L	R					

order nr. _____ date: _____ signature : _____